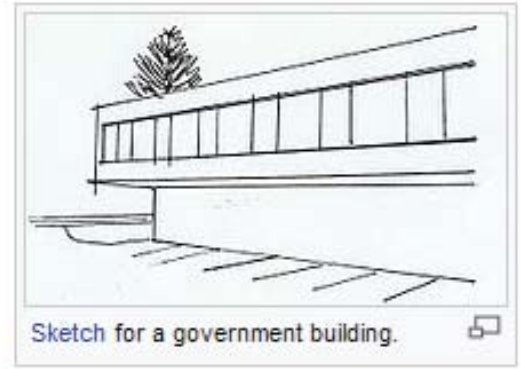
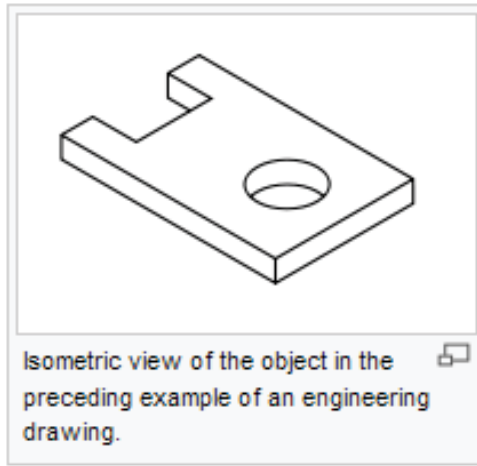
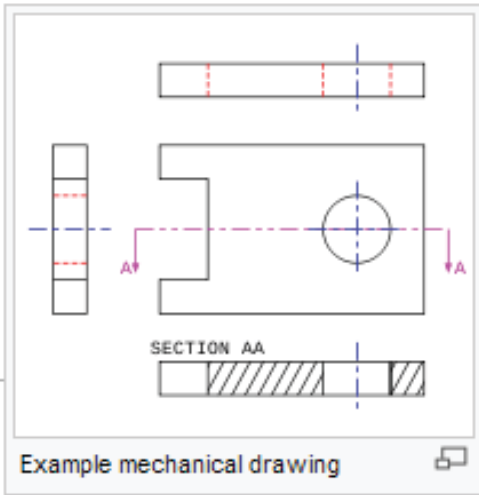
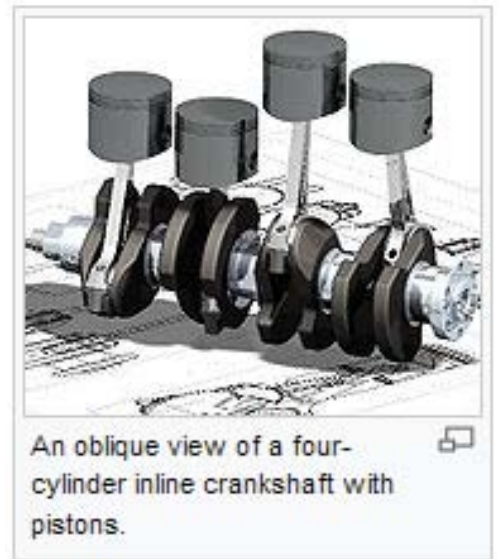
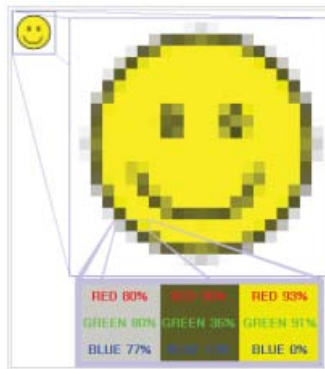




# Engineering drawing / Technical drawing



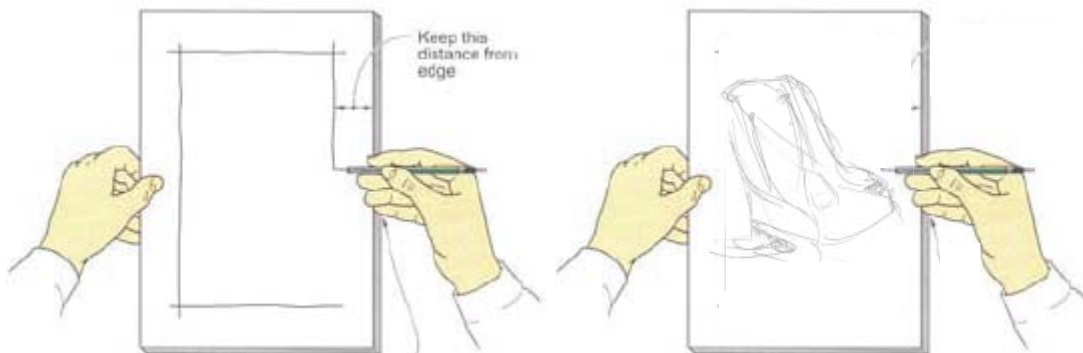
# Computer Aided Design/ 3D



- **Raster graphic**  
Raster-based image editor - Photoshop
- **Vector graphic**  
Vector-based image editor - Adobe Illustrator



# Sketching / Freehand drawing

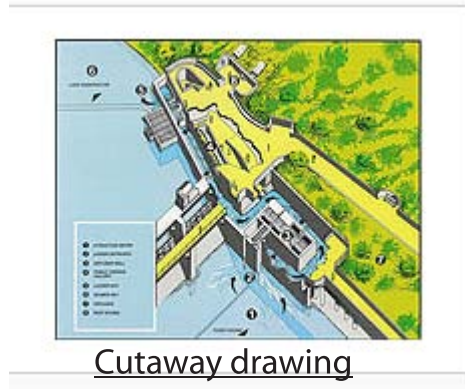




# Architectural drawing



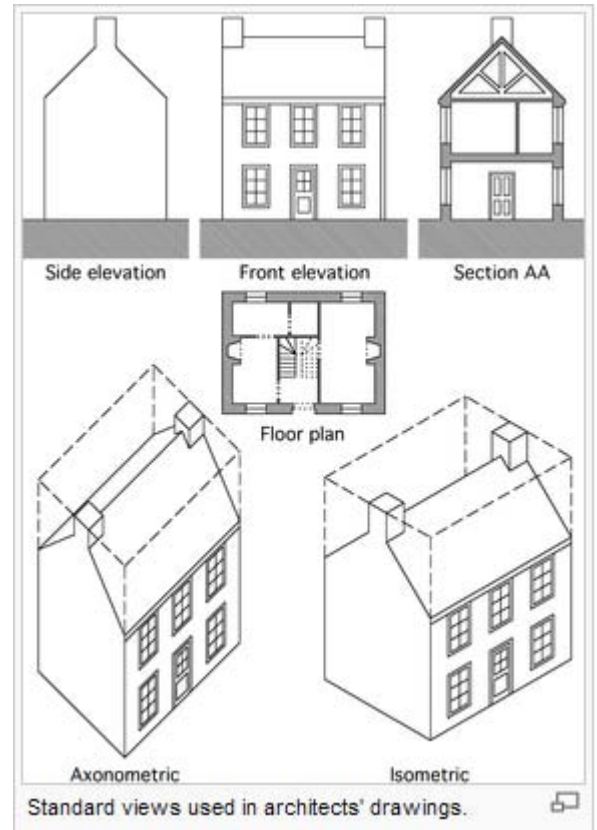
Small kitchen in perspective.



Cutaway drawing



Computer generated perspective



Standard views used in architects' drawings.



# Illustration

Line-art, drawing



(comics, cartoon style)



An illustration of a character from a story

Shading techniques



Photograph /retouching



Digital photograph  
Non-digital photograph

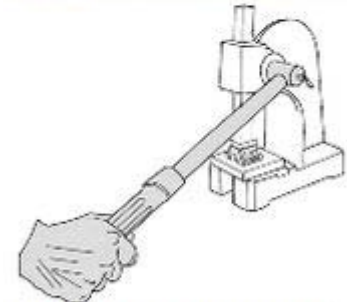


The Golden Gate Bridge retouched for painterly light effects

Collage



Photograph /drawing



The top image is captured using photography. The bottom image is rendered. Images are produced by capturing or rendering.



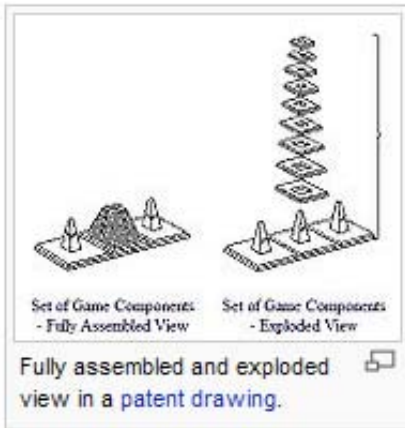
# Clip art



Examples of computer clip art.



# Patent drawing



# Diagram



# Symbols

# Logo

# Information graphics



Feliks K.

# DRAWING